

BURTON JAMES



ESSENTIALS

THE CLEAN & CLASSIC COLLECTION



A CLASSIC, CLEAN & CONTEMPORARY COLLECTION

Elevated pieces, with a touch of simplicity, await customization.

Discover elevated designs with a hint of simplicity, ready for your personal touch. Select from our handcrafted bases, two arm width sizes, and a variety of wood finishes to perfectly pair with our Cloud 9 seat cushions, crafting the ideal piece just for you.

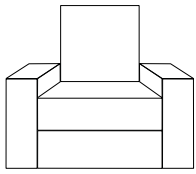
For questions or for more information, contact your sales representative or visit BURTONJAMES.COM.

STANDARD FEATURES

- Cloud 9 Seat Cushions
- Blend Down Back Cushions
- 8 Gauge Sinuous Springs
- Solid Kiln-Dried Wood Frame
- 20" x 20" Throw Pillows Included with Most Configurations
- Standard Dimensions:
 - Depth: 38"
 - Height: 34"
 - Seat Depth: 22"
 - Seat Cushions*: 25"W
 - *#30 sofa cushions are 38"W

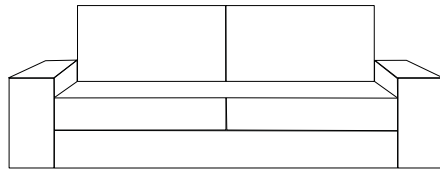
FOR MODIFICATIONS, PLEASE REFER TO PRICE LIST.

STEP 1: CHOOSE YOUR STYLE



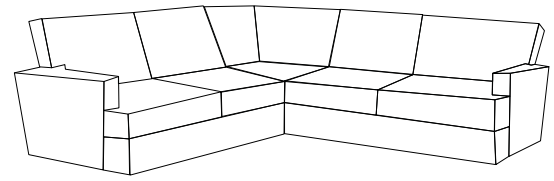
#10 - Chair

23"W + ARMS x 38"D



#30 - 76" Sofa + Arms

76"W + ARMS x 38"D



Sectional

Select configurations at step 7.

STEP 2: CHOOSE YOUR COMBINATION

2.5" Wood Block Leg



2201

3.5" Arm + Square



2202

3.5" Arm + "T"



2203

7" Arm + Square



2204

7" Arm + "T"

5" Tapered Wood Leg



2225

3.5" Arm + Square



2226

3.5" Arm + "T"



2227

7" Arm + Square



2228

7" Arm + "T"

2.5" Wood Plinth Base



2213
3.5" Arm + Square



2214
3.5" Arm + "T"



2215
7" Arm + Square



2216
7" Arm + "T"

5" Transitional Wood Base



2217
3.5" Arm + Square



2218
3.5" Arm + "T"



2219
7" Arm + Square



2220
7" Arm + "T"

5" Mid-Century Wood Base



2221
3.5" Arm + Square



2222
3.5" Arm + "T"



2223
7" Arm + Square



2224
7" Arm + "T"

STEP 3: CHOOSE YOUR SEAT FILL

Cloud 9 (Standard Fill)

High density foam core, wrapped in two layers of polyester fiber for softness and bounce, encased in ticking for strength and durability. This is our most popular seat cushion.

Luxe Aire (No Additional Charge)

Premium polyurethane foam wrapped in D91 polyester fiber and encased in ticking. This is a firm seat with minimum crown ensuring comfort and durability.

Down Supreme (Upcharge)

High density foam interior encased in a 100% cotton down proof ticking envelope, of 90% feather and 10% down.

Spring Down (Upcharge)

High density foam interior surrounding a spring system, encased in a 100% cotton down proof ticking envelope, of 90% feather and 10% down.

Trillum (Upcharge)

High density foam core, encased in a 100% blown polyester fiber filled 100% cotton, channeled down proof cover. This option creates a very plush cushion that has a down like quality.

STEP 4: CHOOSE YOUR BACK FILL

Blend Down (Standard Fill)

50% blown poly fiber, 45% feather, and 5% down channeled in a 100% cotton down proof ticking. This is our most popular back cushion.

Regalaire (No Additional Charge)

Polyester fiber channeled inside a nonwoven casing. This choice offers a firm but soft back cushion that requires some fluffing.

Down Supreme (Upcharge)

90% feather, 10% down channeled in a 100% cotton down proof ticking.

Trillum (Upcharge)

100% blown polyester fiber encased in a 100% cotton, channeled down proof cover. This soft, plush back cushion has a down like quality.

STEP 5: CHOOSE YOUR FABRIC

Any fabric from our Burton James collection, or COM, can be used. Refer to price list for pricing.

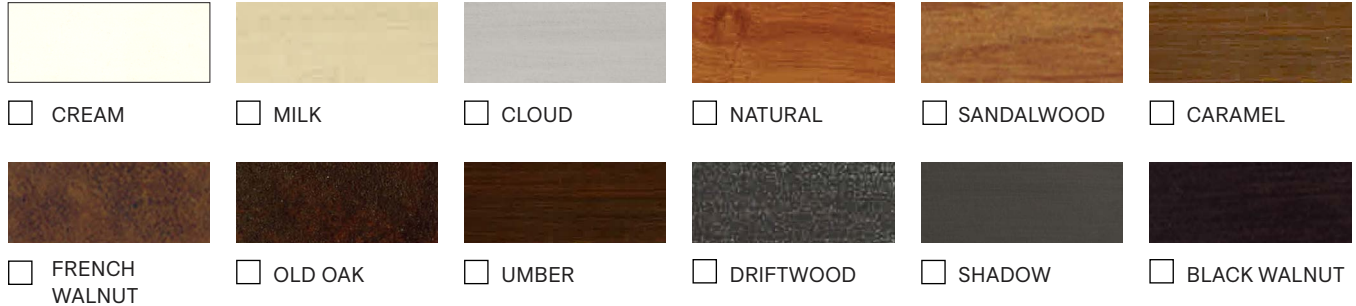
PATTERN: _____

COLOR: _____

STEP 6: CHOOSE YOUR WOOD LEG/BASE FINISH

PICK ONE

Standard Wood Finishes



Premium Wood Finishes **UPCHARGE**

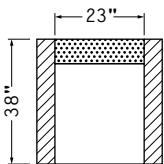


STEP 7: CHOOSE YOUR SECTIONAL PIECES

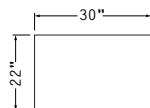
Select from over 15 options to create the perfect configuration.



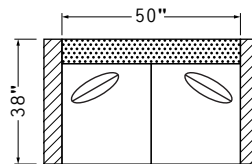
CHAIR, OTTOMAN & SOFA



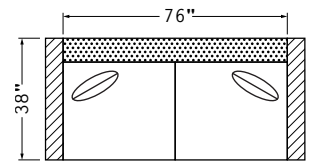
#10
CHAIR
23" + ARMS



#00
OTTOMAN
30" x 22"

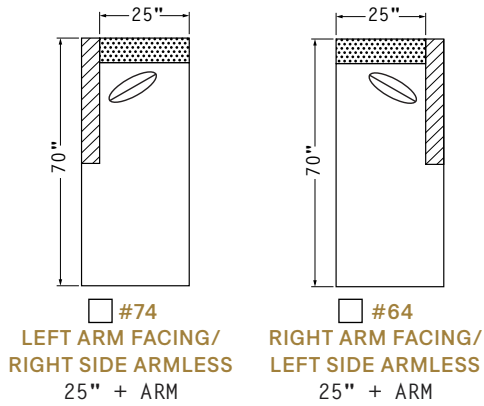


#20
50" SOFA
50" + ARMS

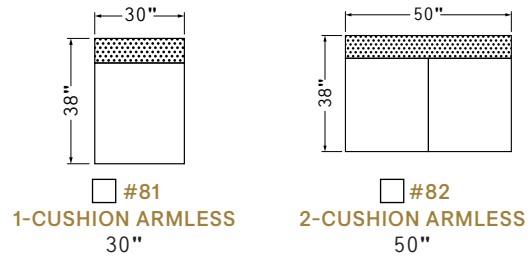


#30
76" SOFA
76" + ARMS

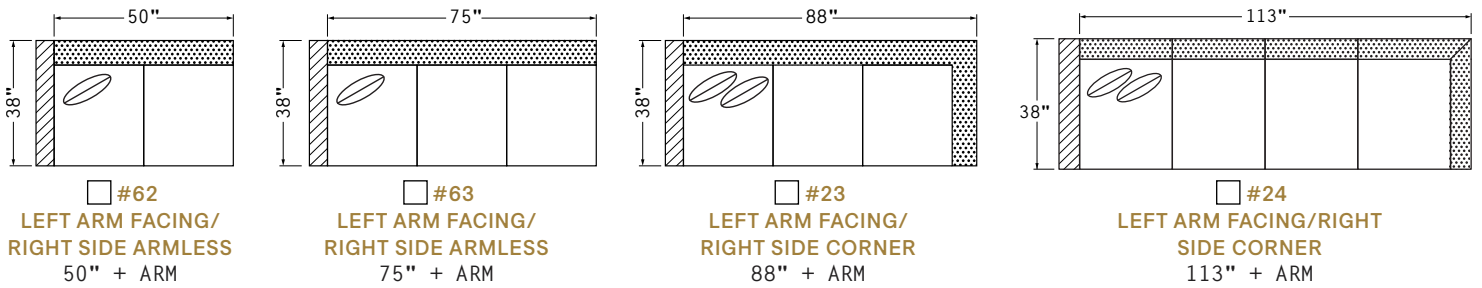
CHAISE



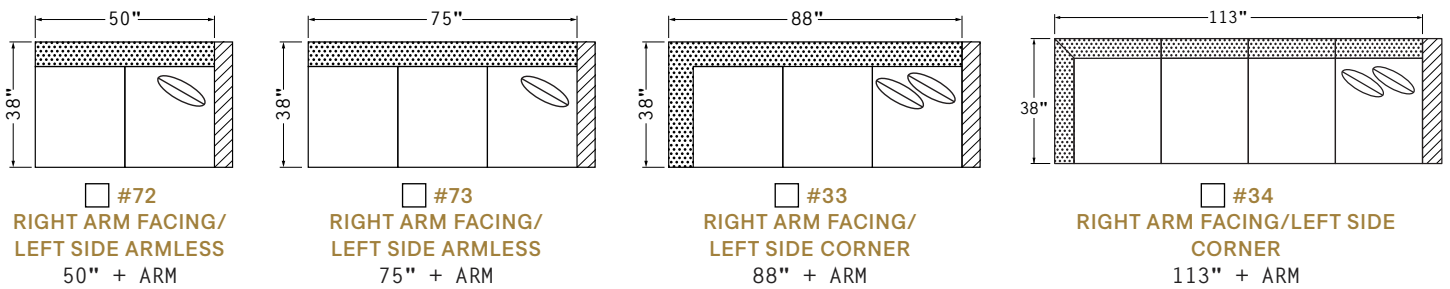
ARMLESS



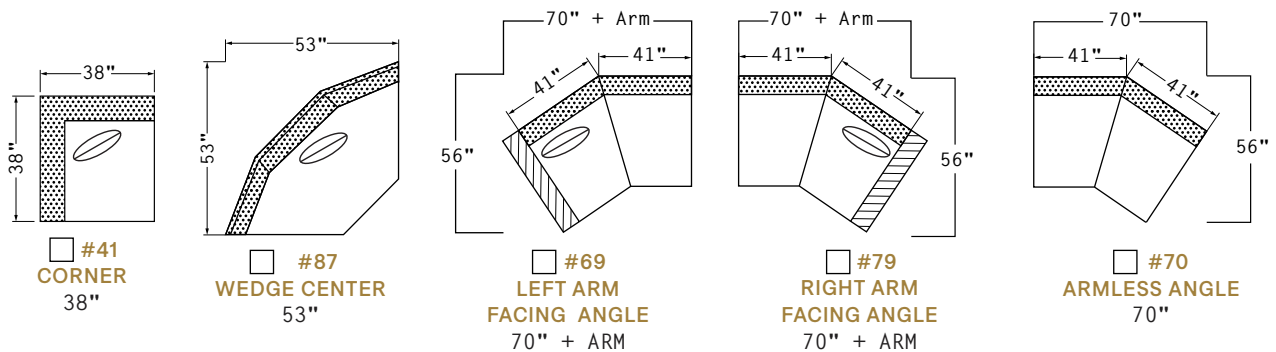
LEFT ARM



RIGHT ARM



CORNER



NOTES/DRAWING

