

# BURTON JAMES



## ESSENTIALS

THE CLEAN & CLASSIC COLLECTION



# A CLASSIC, CLEAN & CONTEMPORARY COLLECTION

Elevated pieces, with a touch of simplicity, await customization.

Discover elevated designs with a hint of simplicity, ready for your personal touch. Select from our handcrafted bases, two arm width sizes, and a variety of wood finishes to perfectly pair with our Cloud 9 seat cushions, crafting the ideal piece just for you.

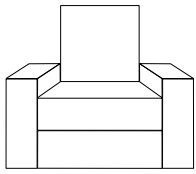
For questions or for more information, contact your sales representative or visit [BURTONJAMES.COM](http://BURTONJAMES.COM).

## STANDARD FEATURES

- Cloud 9 Seat Cushions
- Blend Down Back Cushions
- 8 Gauge Sinuous Springs
- Solid Kiln-Dried Wood Frame
- 20" x 20" Throw Pillows Included with Most Configurations
- Standard Dimensions:
  - Depth: 38"
  - Height: 34"
  - Seat Depth: 22"
  - Seat Cushions\*: 25"W
  - \*#30 sofa cushions are 38"W

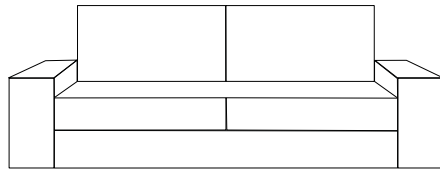
FOR MODIFICATIONS, PLEASE REFER TO PRICE LIST.

## STEP 1: CHOOSE YOUR STYLE



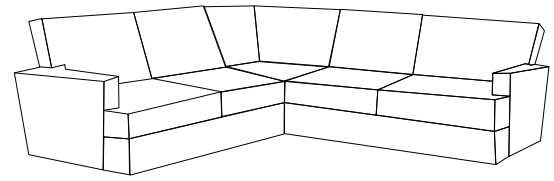
#10 - Chair

23"W + ARMS x 38"D



#30 - 76" Sofa + Arms

76"W + ARMS x 38"D



Sectional

Select configurations at step 7.

## STEP 2: CHOOSE YOUR COMBINATION

### 2.5" Wood Block Leg



2201

3.5" Arm + Square



2202

3.5" Arm + "T"



2203

7" Arm + Square



2204

7" Arm + "T"

### 5" Tapered Wood Leg



2225

3.5" Arm + Square



2226

3.5" Arm + "T"



2227

7" Arm + Square



2228

7" Arm + "T"

### 2.5" Wood Plinth Base



**2213**  
3.5" Arm + Square



**2214**  
3.5" Arm + "T"



**2215**  
7" Arm + Square



**2216**  
7" Arm + "T"

### 5" Transitional Wood Base



**2217**  
3.5" Arm + Square



**2218**  
3.5" Arm + "T"



**2219**  
7" Arm + Square



**2220**  
7" Arm + "T"

### 5" Mid-Century Wood Base



**2221**  
3.5" Arm + Square



**2222**  
3.5" Arm + "T"



**2223**  
7" Arm + Square



**2224**  
7" Arm + "T"

## STEP 3: CHOOSE YOUR SEAT FILL

**Cloud 9 (Standard Fill)**

High density foam core, wrapped in two layers of polyester fiber for softness and bounce, encased in ticking for strength and durability. This is our most popular seat cushion.

**Luxe Aire (No Additional Charge)**

Premium polyurethane foam wrapped in D91 polyester fiber and encased in ticking. This is a firm seat with minimum crown ensuring comfort and durability.

**Down Supreme (Upcharge)**

High density foam interior encased in a 100% cotton down proof ticking envelope, of 90% feather and 10% down.

**Spring Down (Upcharge)**

High density foam interior surrounding a spring system, encased in a 100% cotton down proof ticking envelope, of 90% feather and 10% down.

**Trillum (Upcharge)**

High density foam core, encased in a 100% blown polyester fiber filled 100% cotton, channeled down proof cover. This option creates a very plush cushion that has a down like quality.

## STEP 4: CHOOSE YOUR BACK FILL

**Blend Down (Standard Fill)**

50% blown poly fiber, 45% feather, and 5% down channeled in a 100% cotton down proof ticking. This is our most popular back cushion.

**Regalaire (No Additional Charge)**

Polyester fiber channeled inside a nonwoven casing. This choice offers a firm but soft back cushion that requires some fluffing.

**Down Supreme (Upcharge)**

90% feather, 10% down channeled in a 100% cotton down proof ticking.

**Trillum (Upcharge)**

100% blown polyester fiber encased in a 100% cotton, channeled down proof cover. This soft, plush back cushion has a down like quality.

## STEP 5: CHOOSE YOUR FABRIC

Any fabric from our Burton James collection, or COM, can be used. Refer to price list for pricing.

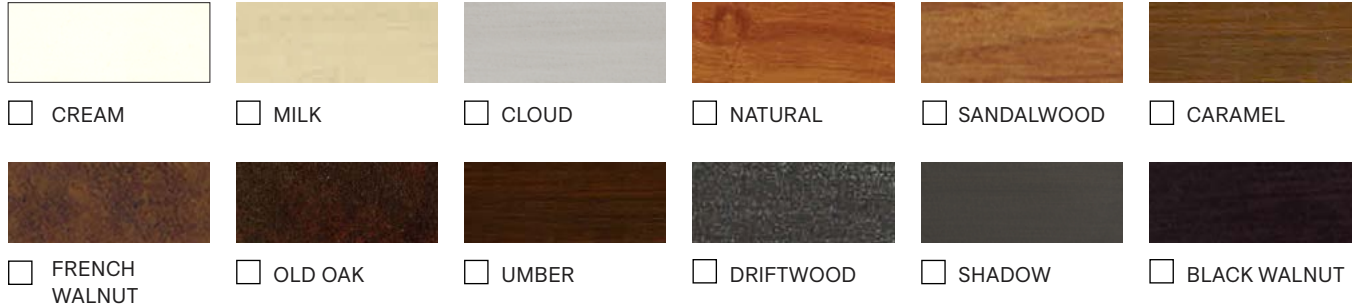
PATTERN: \_\_\_\_\_

COLOR: \_\_\_\_\_

## STEP 6: CHOOSE YOUR WOOD LEG/BASE FINISH

PICK ONE

### Standard Wood Finishes



### Premium Wood Finishes **UPCHARGE**

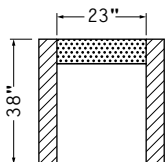


## STEP 7: CHOOSE YOUR SECTIONAL PIECES

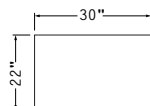
Select from over 15 options to create the perfect configuration.



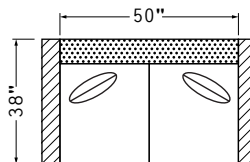
### CHAIR, OTTOMAN & SOFA



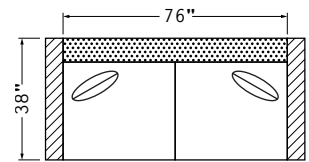
#10  
CHAIR  
23" + ARMS



#00  
OTTOMAN  
30" x 22"

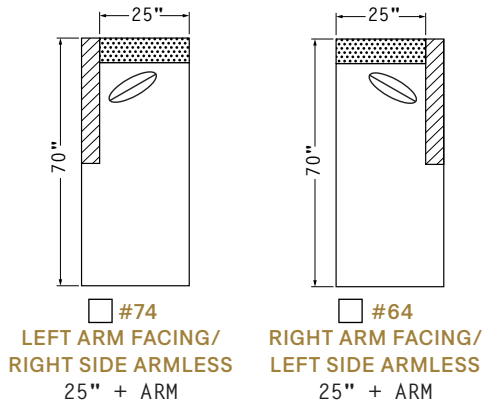


#20  
50" SOFA  
50" + ARMS

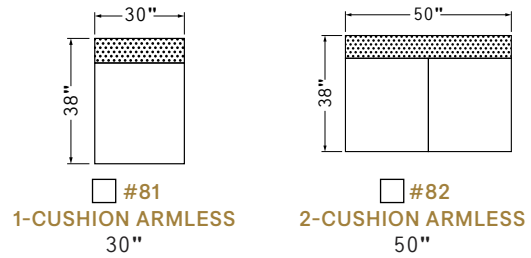


#30  
76" SOFA  
76" + ARMS

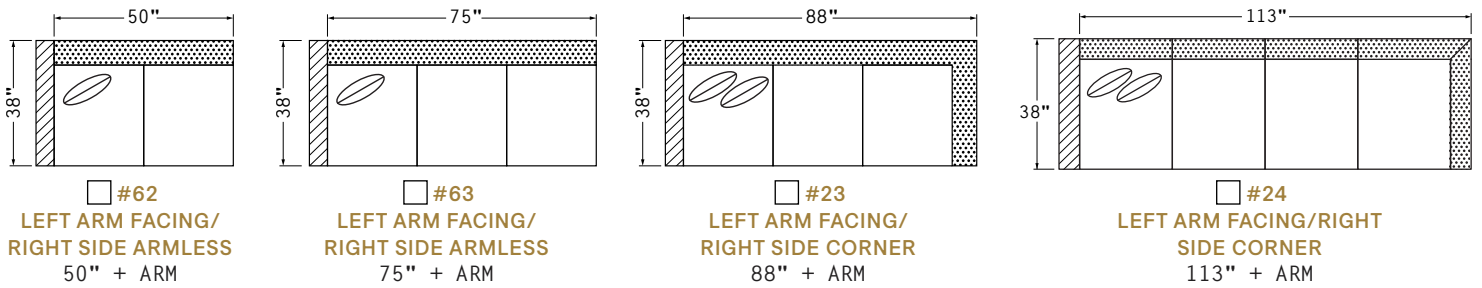
### CHAISE



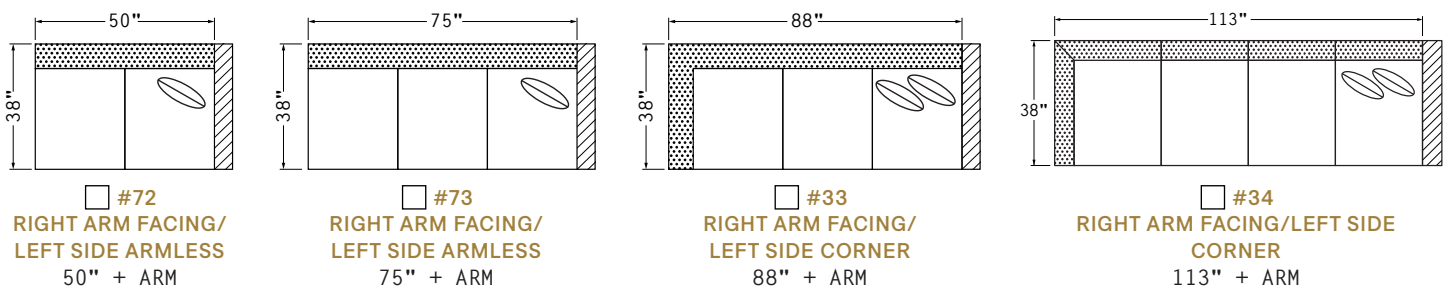
### ARMLESS



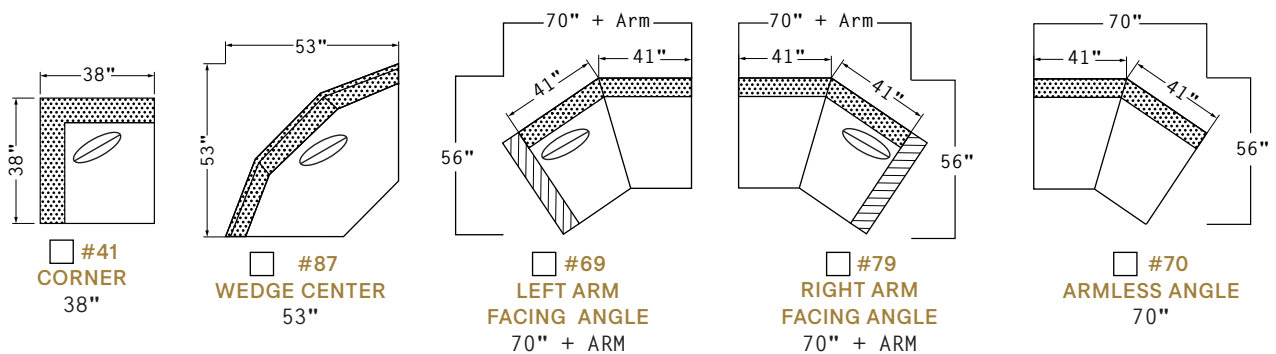
### LEFT ARM



### RIGHT ARM



### CORNER



# NOTES/DRAWING

